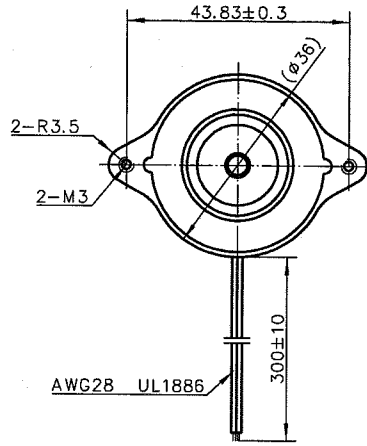
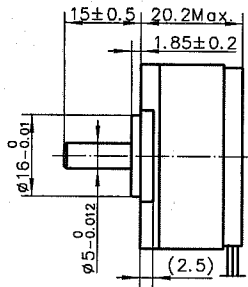
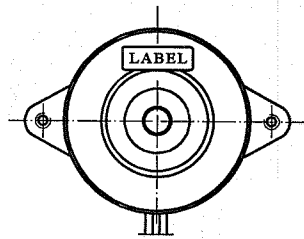
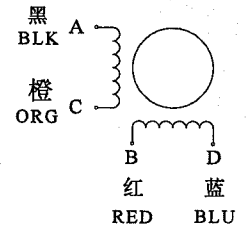


4611110014998



接线图
Wiring Diagram



励磁顺序 vs. 旋转方向
Exciting Sequence vs. Direction of Rotation

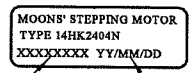
STEP	A	B	C	D	
1	+	+	-	-	CCW ↑
2	-	+	+	-	
3	-	-	+	+	
4	+	-	-	+	

从安装面看为顺时针方向
Clockwise view from mounting side

规格 Specifications

1. 相数 Number of Phase	2
2. 步距角 Step Angle	0.9°
3. 额定电压 Rated Voltage	8V DC
4. 额定电流 Rated Current	0.3Amp
5. 保持力矩 Holding Torque	120mN.m Typ.(Two phase on/rated current)
6. 相电阻 Phase Resistance	26.7ohm±10%(20°C)
7. 相电感 Phase Inductance	21mH±20%(1kHz 1V rms)
8. 转子惯量 Rotor Inertia	11g.cm ²
9. 电机重量 Motor Weight	110g
10. 绝缘等级 Insulation Class	B(130°C)

铭牌 LABEL (4:1)



Work Order 加工单 Date Format 日期格式



			Unit: mm 第一角画法 FIRST ANGLE METHOD	批准 Approve	1.14	MOONS' Hybrid Stepping Motor	Shanghai Moons' Electric Co., Ltd.		
			未注线性与角度尺寸公差 Tolerances for linear and angular dimensions without individual tolerance indications GB/T 1804-m eqv ISO 2768-1 : m	标准化 Standard	1.14				
			未注形状与位置尺寸公差 Geometrical tolerance for features without individual tolerance indications GB/T 1184-K eqv ISO 2768-2 : K	工艺 Technology	1.14	This document is released for information only. Its reproduction in whole or in part or its dissemination to third parties is prohibited. All trademarks and registered trademarks appearing on this document are the property of their respective owners.			
A	原始版本 Original revision	2016.01.13		审核 Check	1.14				
REV.	版本记录 REVISION RECORD	DATE	UNLESS OTHERWISE SPECIFIED	设计 Design	2016.01.13	Type: 14HK2404N	Rev.A	SCALE 1:1	Sheet 1 of 1