

3. MECHANICAL CHARACTERISTICS

NO.	ITEM	SPECIFICATION	REMARK
3.1	Radial Shaft Loading	5N Max.	
3.2	Axial Shaft Loading	1N Max.	
3.3	Radial Shaft Play	0.05 mm Max.	@500G
3.4	Axial Shaft Play	0.6 mm Max.	@500G
3.5	Mass	Approximate 21g	
3.6	Rotor Inertia	Approximate 0.25 gcm ²	

4. OPERATING CONDITIONS

NO.	ITEM	SPECIFICATION	REMARK
4.1	Operating Temperature	-20°C ~ +50°C	
4.2	Operating Humidity	15 ~ 85% RH	No Condensation
4.3	Storage Temperature	-30°C ~ +70°C	
4.4	Storage Humidity	15~ 85% RH	No Condensation

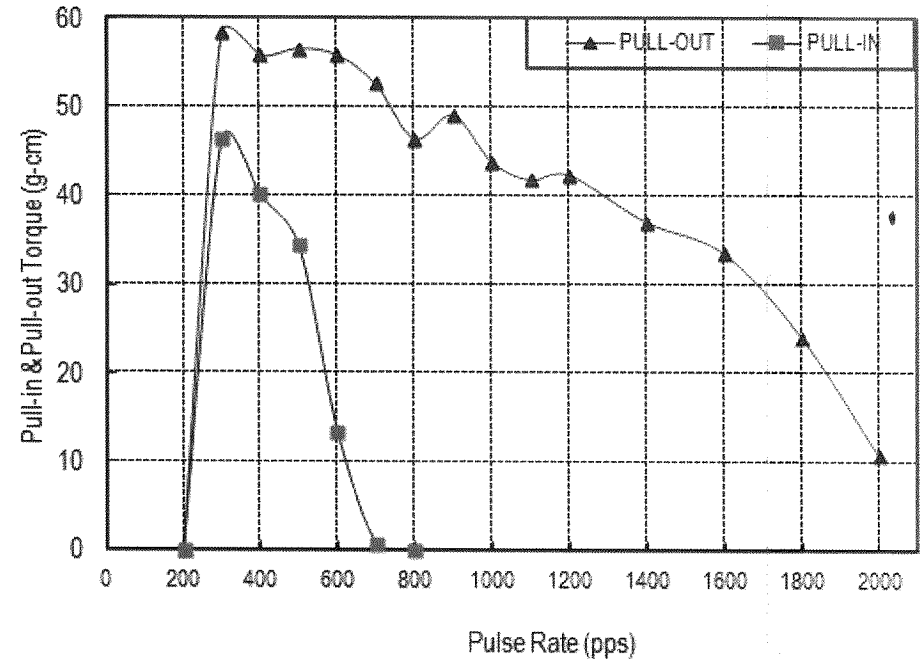
5. RELIABILITY AND WARRANTY

NO.	SPECIFICATION	REMARKS
5.1	3,000 Hours min.	<ol style="list-style-type: none"> Normal Operating Conditions Full-Step @600RPM, Rated voltage, Rated current and Rated load. No Unusual Vibration & Noise Satisfactory Electrical & Mechanical Characteristics
5.2	Satisfactory Electrical & Mechanical Characteristics	<ol style="list-style-type: none"> Vibration Test at Motor 0 ~ 100 Hz Sweep for 5 Minutes 1.5 mm, 3 Directional Amplitude for 30 Minutes
5.3	Satisfactory Electrical & Mechanical Characteristics	<ol style="list-style-type: none"> Shock Test at Package 30 G, 3 Directions each for 1 time

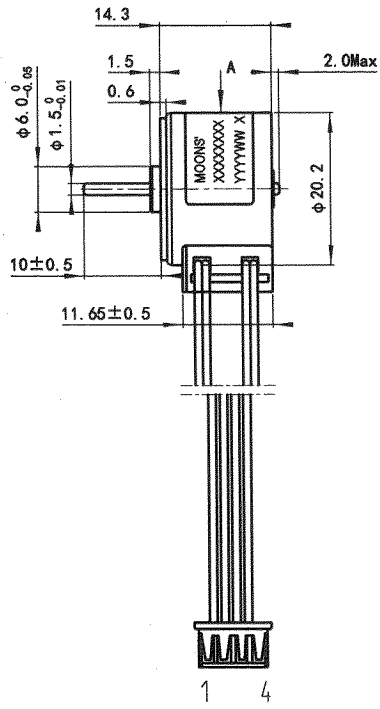
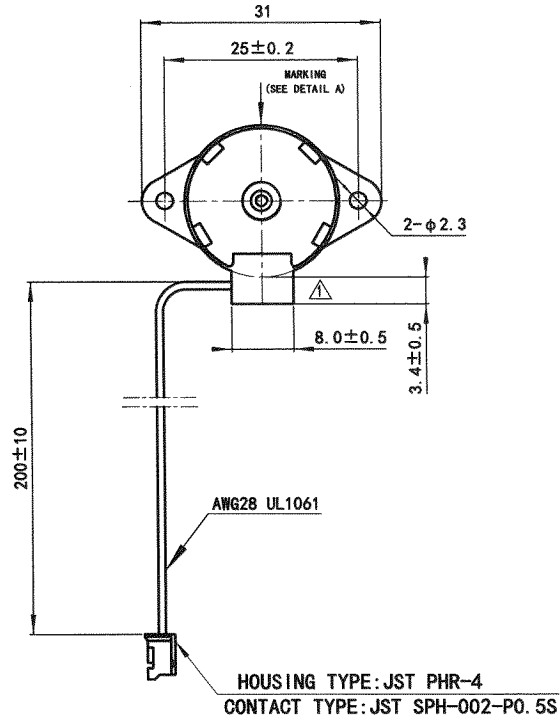
6. REMARKS

6.1	An abnormal operation may extremely shorten the performance or service life.
6.2	Do not hold the motor by lead wire or PCB.
6.3	The motor is subject to change for improving the performance within the range satisfying its specification.

MOONS' PM STEPPING MOTOR CHARACTERISTICS
20PM020S0-01002 (Rev. C)
 □ Constant Voltage 12V □ Rated Current 0.33A □ Bipolar □ Full-Step □ 3540M Driver



保 密



DETAIL A:

MOONS'
 20PM020S0-01002
 YYYYYW XXXXXX

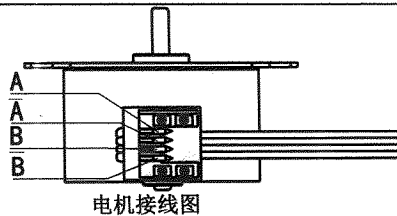
MOONS' 型号与第三行内容
Data Matrix ECC 200

Serial No. _____

Year,Week _____

CONNECTOR PIN LOCATION						
PIN NO.	COLOR	CCW ← → CW (SEEN FROM FLANGE SIDE)				PHASE
		ON			ON	
1	BLACK	ON			ON	A
2	BROWN		ON	ON		\bar{A}
3	ORANGE	ON	ON		ON	B
4	YELLOW			ON	ON	\bar{B}

保 密



		单位 Unit: 毫米 mm 比例 Scale: 1:1		Approve <i>[Signature]</i> 5/31
		第一角画法 First angle method		Standard <i>[Signature]</i> 5/31
		未注线性与角度尺寸公差 Tolerances for linear and angular dimensions without individual tolerance indications	19.04.29	Technology <i>[Signature]</i> 5/31
	C Electrical characteristics changed	GB/T 1804-m eqv ISO 2768-1:m		Check <i>[Signature]</i> 5/31
	B Cover changed	未注形状与位置尺寸公差 Geometrical tolerance for features without individual tolerance indications	19.02.26	Design 韩晨 19.04.29
	A 原始版本Original revision	GB/T 1184-K eqv ISO 2768-2:K	16.12.23	
备注 Remarks	Rev.	更改记录 Record for Changing	Date	UNLESS OTHERWISE SPECIFIED TYPE 20PM020S0-01002