

3. MECHANICAL CHARACTERISTICS

NO.	ITEM	SPECIFICATION	REMARK
3.1	Radial Shaft Loading	7.5N Max.	
3.2	Axial Shaft Loading	1N Max.	
3.3	Radial Shaft Play	0.05 mm Max.	
3.4	Axial Shaft Play	0.6 mm Max.	
3.5	Mass	Approximate 70g	
3.6	Rotor Inertia	Approximate 2.8gcm ²	

4. OPERATING CONDITIONS

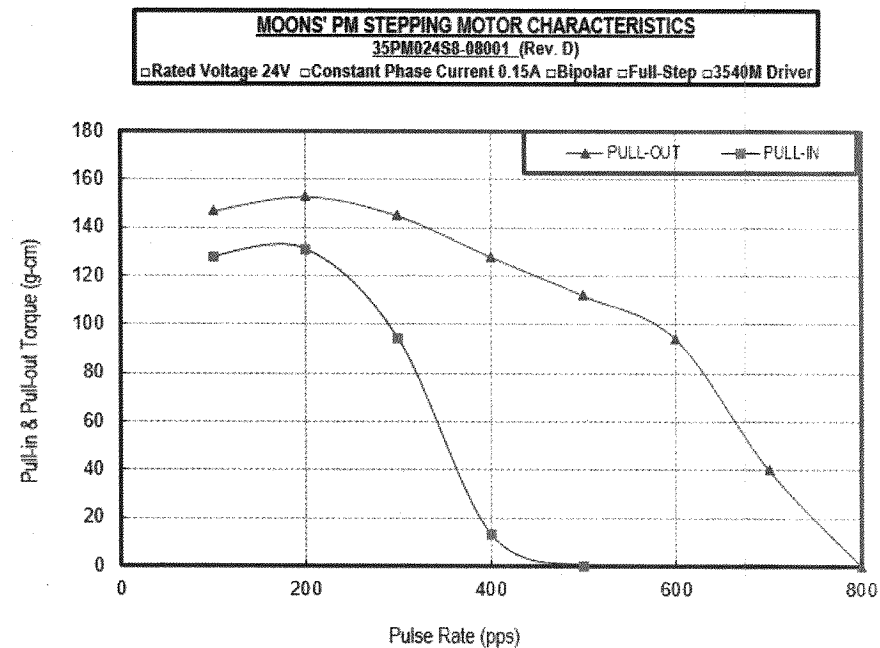
NO.	ITEM	SPECIFICATION	REMARK
4.1	Operating Temperature	-20°C ~ +50°C	
4.2	Operating Humidity	15 ~ 85% RH	No Condensation
4.3	Storage Temperature	-30°C ~ +70°C	
4.4	Storage Humidity	15~ 85% RH	No Condensation

5. RELIABILITY AND WARRANTY

NO.	SPECIFICATION	REMARKS
5.1	3,000 Hours min.	<ol style="list-style-type: none"> Normal Operating Conditions Full-Step @600RPM, Rated voltage, Rated current and Rated load. No Unusual Vibration & Noise Satisfactory Electrical & Mechanical Characteristics
5.2	Satisfactory Electrical & Mechanical Characteristics	<ol style="list-style-type: none"> Vibration Test at Motor 0 ~ 100 Hz Sweep for 5 Minutes 1.5 mm, 3 Directional Amplitude for 30 Minutes
5.3	Satisfactory Electrical & Mechanical Characteristics	<ol style="list-style-type: none"> Shock Test at Package 30 G, 3 Directions each for 1 time

6. REMARKS

6.1	An abnormal operation may extremely shorten the performance or service life.
6.2	Do not hold the motor by lead wire or PCB.
6.3	The motor is subject to change for improving the performance within the range satisfying its specification.



保 密

A

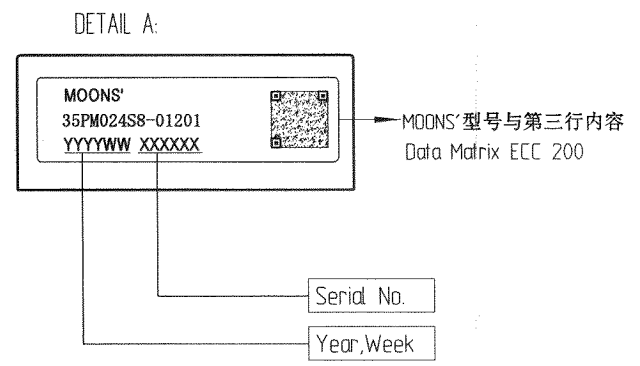
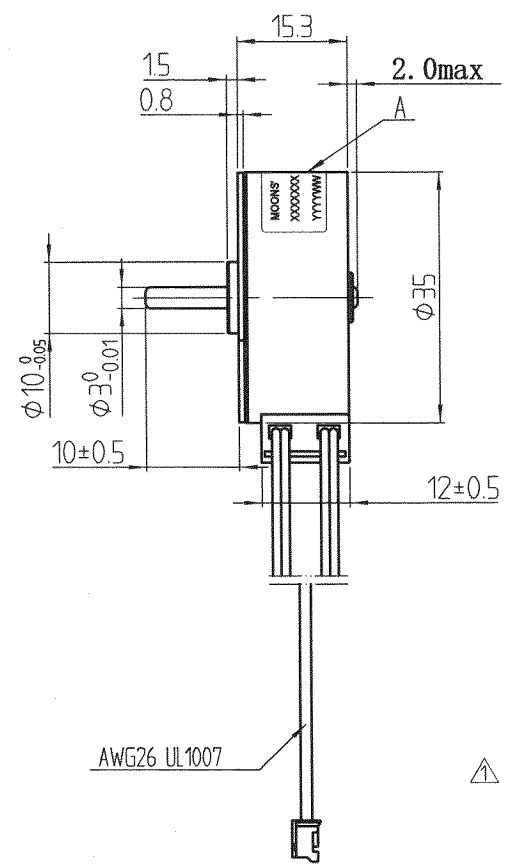
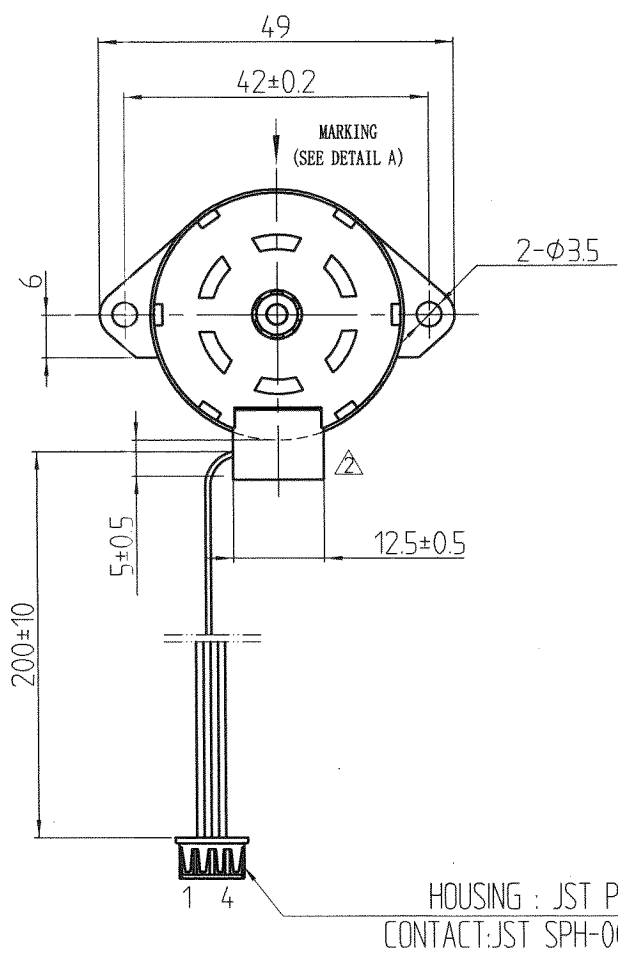
B

C

D

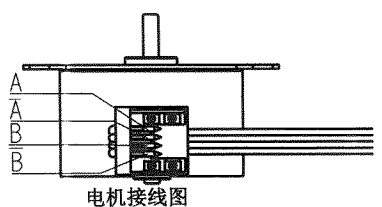
E

F



保 密

CONNECTOR PIN LOCATION						
PIN NO.	COLOR	CCW ← → CW (SEEN FROM FLANGE SIDE)				PHASE
		ON	ON	ON	ON	
1	BLACK	ON	ON			A
2	BROWN			ON	ON	\bar{A}
3	ORANGE		ON	ON		B
4	YELLOW	ON			ON	\bar{B}



电机接线图

备注 Remarks

Rev.	更改记录 Record for Changing	Date	UNLESS OTHERWISE SPECIFIED	TYPE	35PM024S8-01201
D	Electrical characteristics changed	19.05.30	单位 Unit: 毫米 mm 比例 Scale: 1:1 第一角画法 First angle method 未注线性与角度尺寸公差 Tolerances for linear and angular dimensions without individual tolerance indications GB/T 1804-m eqv ISO 2768-1:m 未注形状与位置尺寸公差 Geometrical tolerance for features without individual tolerance indications GB/T 1184-K eqv ISO 2768-2:K	Approve	<i>[Signature]</i> 5.31
C	Cover changed and P/N changed	19.04.08		Standard	<i>[Signature]</i> 5.31
B	Wire changed	17.05.18		Technology	<i>[Signature]</i> 5.31
A	原始版本Original revision	16.11.15		Check	<i>[Signature]</i> 5.31
				Design	韩展 19.05.30