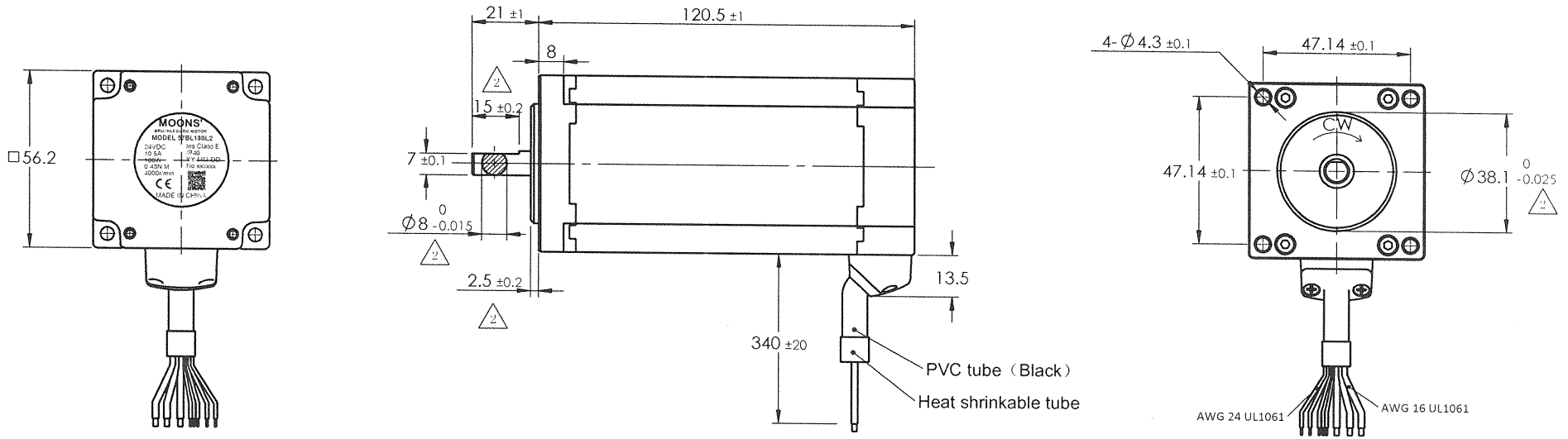


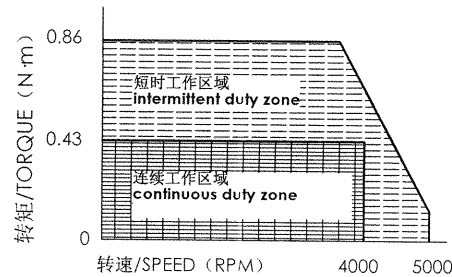
4611130000021



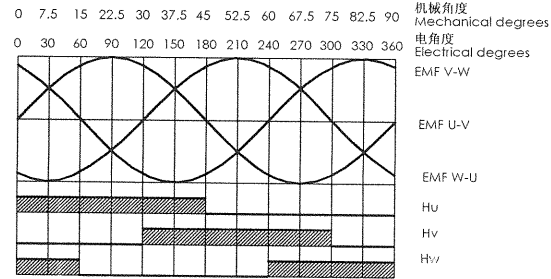
规格 Specifications

1	额定电压/Rated power supply	24	VDC
2	额定输出功率/Rated output power	180	W
3	极数/Poles number	8	
4	相数/Phase number	3	
5	额定转速/Rated rotational speed	4000	RPM
6	最大转速/Maximum speed	5000	RPM
7	额定转矩/Rated torque	0.43	N·m
8	额定电流/Rated winding current	10.5	A
9	线反电势系数/Voltage constant ±10%	3	V <sub>rms</sub> /krpm
10	惯量/Moment of inertia	4.5647×10 <sup>-5</sup>	kg·m <sup>2</sup>
11	线电阻Pb/ph resistance ±20% at 20°C	0.108	Ω
12	线电感Pb/ph inductance ±30% at 1KHz 20°C	0.11	mH
13	电机质量/Motor mass	1.7	kg
14	绝缘等级/Insulation class	E	120°C
15	防护等级/Protective enclosure rating	IP40	

转矩-转速特性 Torque-speed specifications



线反电势与霍尔相位关系图 (顺时针) Relation between phase EMF's and hall sensor outputs at CW



编号 No.	线色 COLOR	定义 FUNCTION
1	蓝/blue	W
2	橙/orange	U
3	黄/yellow	V

编号 No.	线色 COLOR	定义 FUNCTION
1	红/red	VCC (5V)
2	黄/yellow	Hv
3	蓝/blue	Hw
4	黑/black	GND
5	橙/orange	Hu

G		
F		
E		
D		
C	Φ38.1±0.025; Φ8-0.002/-0.015; 2.5±0.1; 1.5±0.1; 黑/black-W, 白/white-U	2014-04-22
B	轴Φ8 0/-0.006; 凸台 Φ38.1 0/-0.025; 电流11.5A; 功率200W	2013-05-17
A	原始版本 Original revision	2012-10-30
REV.	版本记录 REVISION RECORD	DATE

Unit: mm  
 第一角画法 FIRST ANGLE METHOD  
 未注线性与角度尺寸公差 Tolerances for linear and angular dimensions without individual tolerance indications  
 GB/T 1804-m eqv ISO 2768-1 : m  
 未注形状与位置尺寸公差 Geometrical tolerance for features without individual tolerance indications  
 GB/T 1184-K eqv ISO 2768-2 : K

批准 Approve	
标准化 Standard	
工艺 Technology	
审核 Check	
设计 Design	

**MOONS'** BRUSHLESS DC MOTOR  
**Shanghai Moons' Electric Co., Ltd.**

This document is released for information only. Its reproduction in whole or in part or its dissemination to third parties is prohibited. All trademarks and registered trademarks appearing on this document are the property of their respective owners.

Type: 57BL180L2 Rev. C SCALE 1:2 Sheet 1 of 1