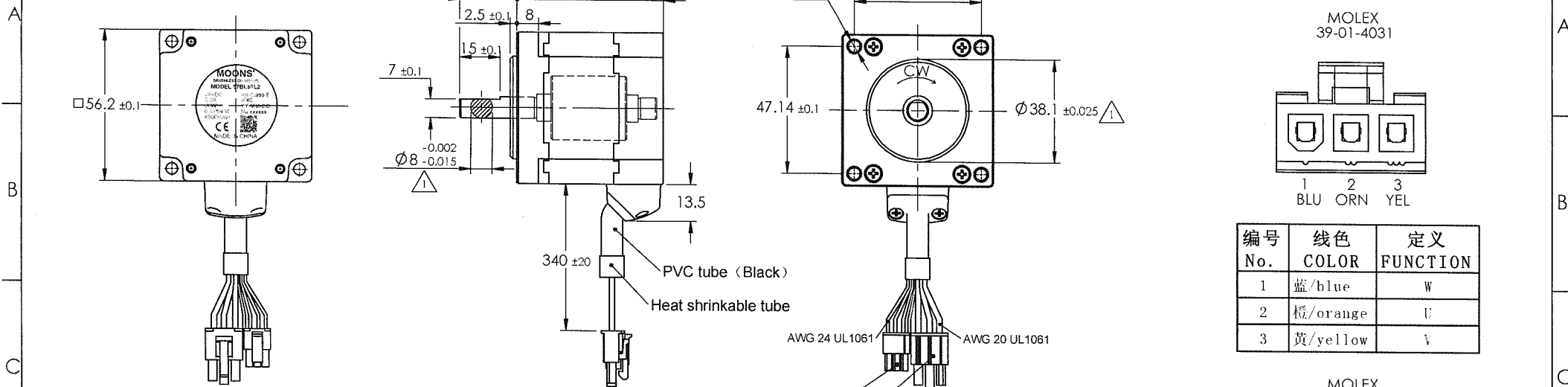
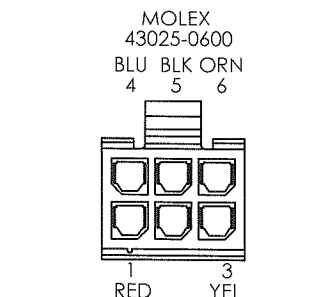


4611130000024



编号 No.	线色 COLOR	定义 FUNCTION
1	蓝/blue	W
2	橙/orange	U
3	黄/yellow	V

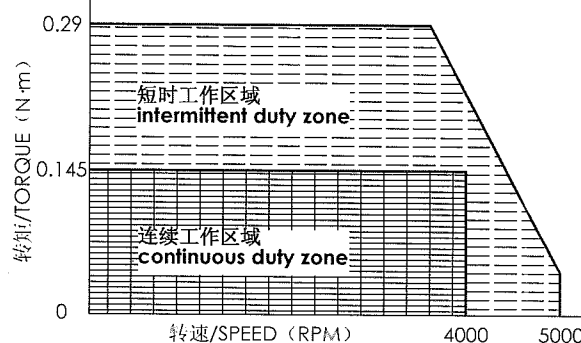


编号 No.	线色 COLOR	定义 FUNCTION
1	红/red	VCC(+5V)
3	黄/yellow	Hv
4	蓝/blue	Hw
5	黑/black	GND
6	橙/orange	Hu

规格 Specifications

1	额定电压 Rated power supply	24	VDC
2	额定输出功率 Rated output power	60	W
3	极数 Poles number	8	
4	相数 Phase number	3	
5	额定转速 Rated rotational speed	1000	RPM
6	最大转速 Maximum speed	5000	RPM
7	额定转矩 Rated torque	0.145	N·m
8	额定电流 Rated winding current	3.20	A
9	线反电势系数 Voltage constant ±10%	3.08	Vrms/krpm
10	惯量 Moment of inertia	1.4767×10^{-5}	kg·m ²
11	线电阻 Ph-ph resistance ±10% at 20°C	0.48	Ω
12	线电感 Ph-ph inductance ±30% at 1kHz 20°C	0.45	mH
13	电机质量 Motor mass	0.64	kg
14	绝缘等级 Insulation class	E	120°C
15	防护等级 Protective enclosure rating	IP40	

转矩-转速特性 Torque-speed specifications



G		
F		
E		
D		
C		
B	规格更改, 法兰直径公差、出轴公差更改	2013-5-9
A	原始版本 Original revision	2012-11-11
REV.	版本记录 REVISION RECORD	DATE

Unit: mm
 第一角画法 FIRST ANGLE METHOD
 未注线性与角度尺寸公差 Tolerances for linear and angle dimensions without individual tolerance indications
 GB/T 1804-m eqv ISO 2768-1 : m
 未注半径与位置尺寸公差 Tolerances for radius and position dimensions without individual tolerance indications
 GB/T 1184-K eqv ISO 2768-2 : K

批准 Approve	
标准化 Standard	
工艺 Technology	
审核 Check	
设计 Design	
NAMES	SIGNATURE
	DATE

MOONS' BRUSHLESS DC MOTOR
Shanghai Moons' Electric Co., Ltd.

This document is released for information only. Its reproduction in whole or in part or its dissemination to third parties is prohibited. All trademarks and registered trademarks appearing on this document are the property of their respective owners.

Type: 57BL60L2 Rev.B SCALE 1:2 Sheet 1 of 1