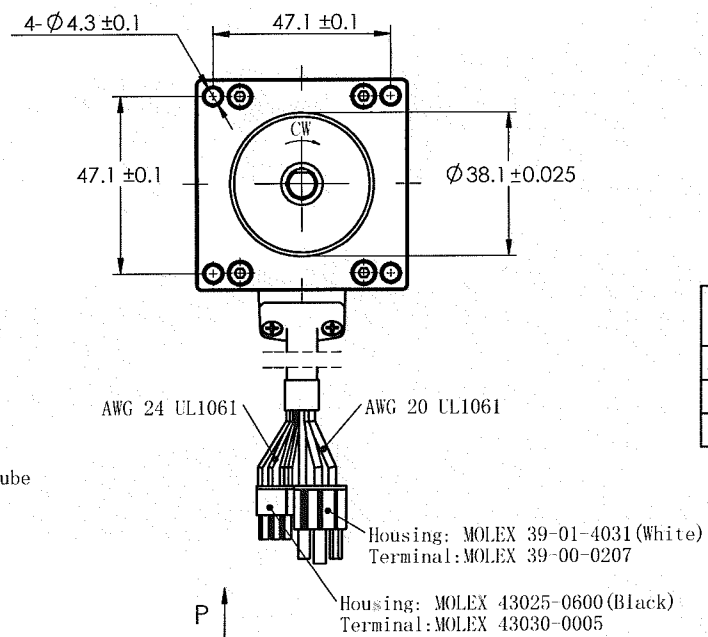
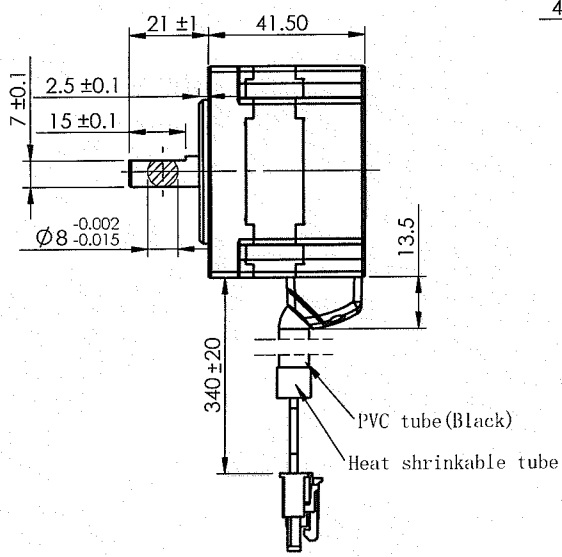
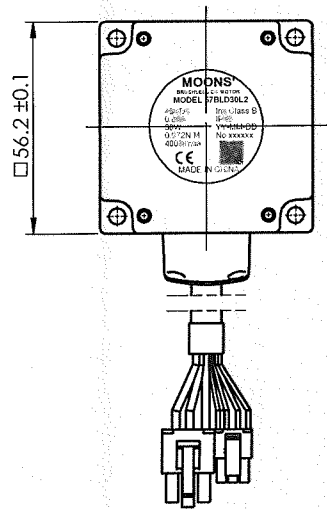
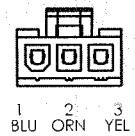


4611130001014



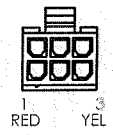
MOLEX 39-01-4031
P向



编号 No.	线色 COLOR	定义 FUNCTION
1	蓝/blue	W
2	橙/orange	U
3	黄/yellow	V

MOLEX 43025-0600
P向

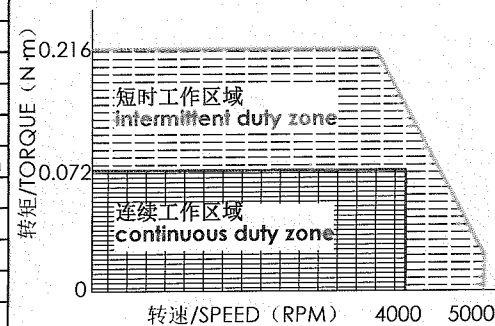
BLU BLK ORN
4 5 6



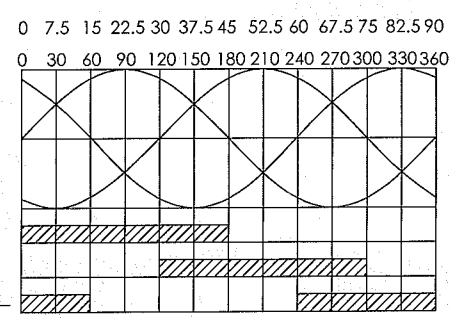
规格 Specifications

1	额定电压/Rated power supply	48	VDC
2	额定输出功率/Rated output power	30	W
3	极数/Poles number	8	
4	相数/Phase number	3	
5	额定转速/Rated rotational speed	4000	RPM
6	最大转速/Maximum speed	5000	RPM
7	额定转矩/Rated torque	0.072	N · m
8	额定电流/Rated winding current	0.86	A
9	线反电势系数/Voltage constant ± 10%	6.45	Vrms/krpm
10	惯量/Moment of inertia	0.87x10 ⁻⁵	kg · m ²
11	线电阻Ph/ph resistance ± 10% at 20°C	3.25	Ω
12	线电感Ph/ph inductance ± 30% at 1KHz 20°C	3.25	mH
13	电机质量/Motor mass	0.38	kg
14	绝缘等级/Insulation class	B	130°C
15	防护等级/Protective enclosure rating	IP40	

转矩-转速特性 Torque-speed specifications



线反电势与霍尔相位关系图 (顺时针) Relation between phase EMF's and hall sensor outputs at CW



机械角度 Mechanical degrees
电角度 Electrical degrees

编号 No.	线色 COLOR	定义 FUNCTION
1	红/red	VCC (+5V)
3	黄/yellow	Uv
4	蓝/blue	Uw
5	黑/black	GND
6	橙/orange	Uu

G		
F		
E		
D		
C		
B		
A	原始版本 Original revision	2018-5-25
REV.	版本记录 REVISION RECORD	DATE

Unit: mm
第一角画法 FIRST ANGLE METHOD
未注线性与角度尺寸公差 Tolerances for linear and angular dimensions without individual tolerance indications
GB/T 1804-m eqv ISO 2768-1 : m
未注形位与位置尺寸公差 Geometrical tolerance for features without individual tolerance indications
GB/T 1184-K eqv ISO 2768-2 : K

批准 Approve			
标准化 Standard			
工艺 Technology			
审核 Check			
设计 Design			
UNLESS OTHERWISE SPECIFIED	NAMES	SIGNATURE	DATE

MOONS' BRUSHLESS DC MOTOR
Shanghai Moons' Electric Co., Ltd.

This document is released for information only. Its reproduction in whole or in part or its dissemination to third parties is prohibited. All trademarks and registered trademarks appearing on this document are the property of their respective owners.

Type: 57BLD30L4 Rev.A SCALE 1:2 Sheet 1 of 1