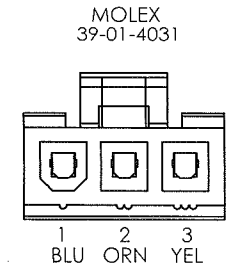
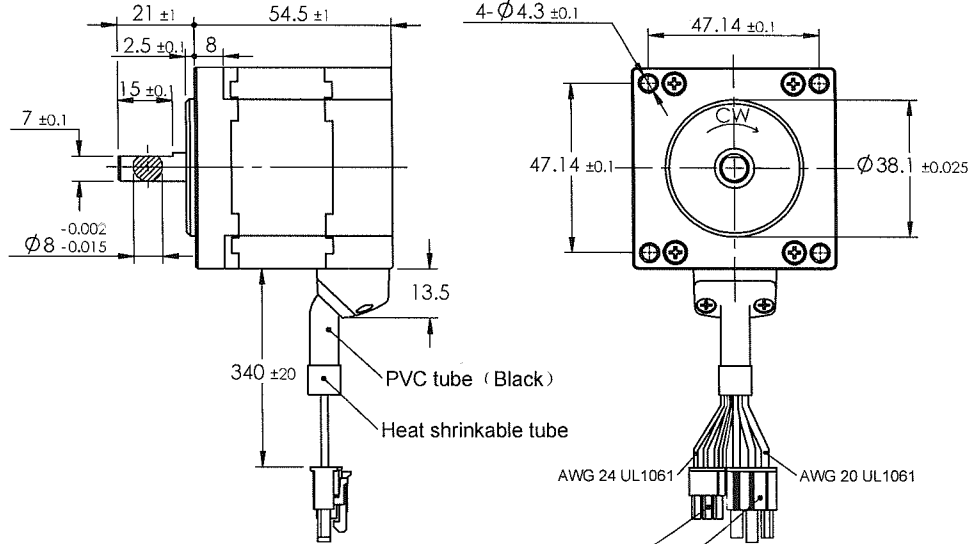
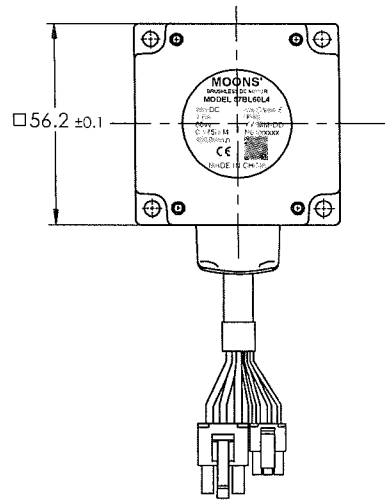
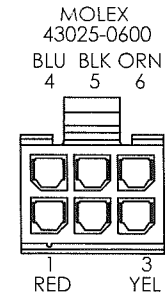


4611130000072



编号 No.	线色 COLOR	定义 FUNCTION
1	蓝/blue	W
2	橙/orange	U
3	黄/yellow	V

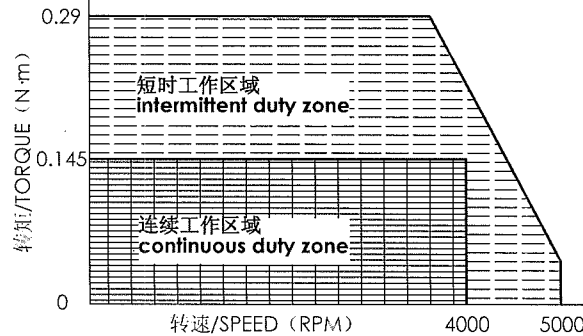


编号 No.	线色 COLOR	定义 FUNCTION
1	红/red	VCC(+5V)
3	黄/yellow	Hv
4	蓝/blue	Hw
5	黑/black	GND
6	橙/orange	Hu

规格 Specifications

1	额定电压 Rated power supply	48	VDC
2	额定输出功率 Rated output power	60	W
3	极数 Poles number	8	
4	相数 Phase number	3	
5	额定转速 Rated rotational speed	1000	RPM
6	最大转速 Maximum speed	5000	RPM
7	额定转矩 Rated torque	0.145	N·m
8	额定电流 Rated winding current	1.6	A
9	线反电势系数 Voltage constant ±10%	6.35	Vrms·krpm
10	惯量 Moment of inertia	1.4767×10^{-5}	kg·m ²
11	线电阻 Ph/ph resistance ±10% at 20°C	1.8	Ω
12	线电感 Ph/ph inductance ±30% at 1KHz 20°C	1.9	mH
13	电机质量 Motor mass	0.64	kg
14	绝缘等级 Insulation class	E	120°C
15	防护等级 Protective enclosure rating	IP40	

转矩-转速特性 Torque-speed specifications



Unit: mm
 第一角画法 FIRST ANGLE METHOD
 未注线性与角度尺寸公差 Tolerances for linear and angular dimensions without individual tolerance indications
 GB/T 1804-m eqv ISO 2768-1: m
 未注形位与位置尺寸公差 Geometrical tolerance for features without individual tolerance indications
 GB/T 1184-K eqv ISO 2768-2: K

批准 Approve	
标准化 Standard	
工艺 Technology	
审核 Check	
设计 Design	

MOONS' BRUSHLESS DC MOTOR
Shanghai Moons' Electric Co., Ltd.

This document is released for information only. Its reproduction in whole or in part or its dissemination to third parties is prohibited. All trademarks and registered trademarks appearing on this document are the property of their respective owners.

REV.	版本记录 REVISION RECORD	DATE	UNLESS OTHERWISE SPECIFIED	NAMES	SIGNATURE	DATE	Type: 57BL60L4	Rev.A	SCALE 1:2	Sheet 1 of 1
------	----------------------	------	----------------------------	-------	-----------	------	----------------	-------	-----------	--------------