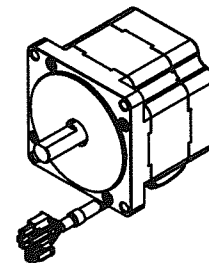
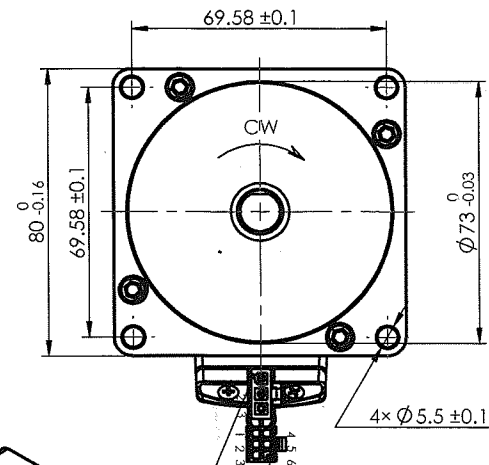
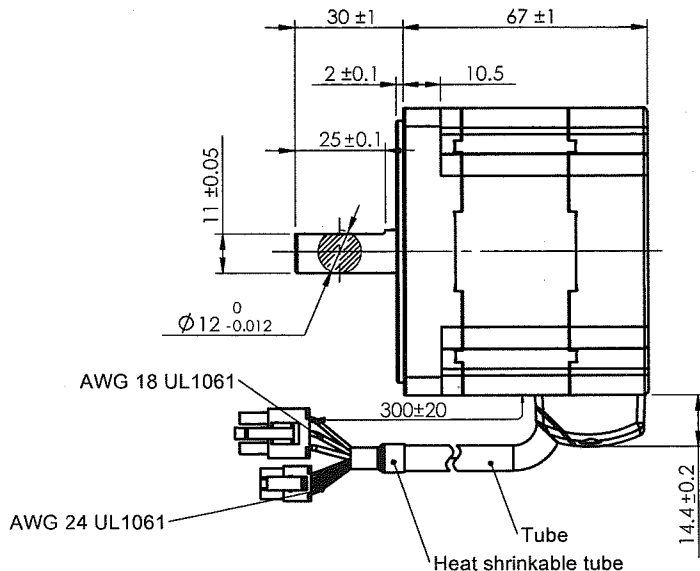
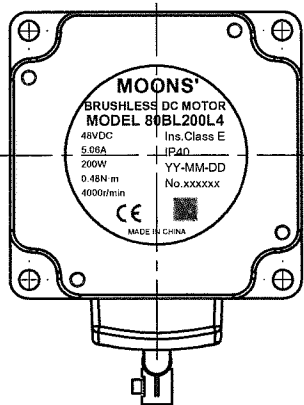


4611130000079



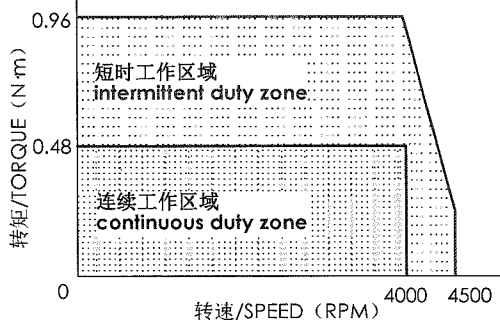
Housing: MOLEX 39-01-4031 (White)  
Terminal: MOLEX 39-00-0207

Housing: MOLEX 43025-0600 (Black)  
Terminal: MOLEX 43030-0005

规格 Specifications

1	额定电压/Rated power supply	48	VDC
2	额定输出功率/Rated output power	200	W
3	极数/Poles number	8	
4	相数/Phase number	3	
5	额定转速/Rated rotational speed	4000	RPM
6	最大转速/Maximum speed	4500	RPM
7	额定转矩/Rated torque	0.48	N·m
8	额定电流/Rated winding current	5.06	A
9	线反电动势/Voltage constant±10%	6.76	Vrms/krpm
10	惯量/Moment of inertia	0.74x10 <sup>-4</sup>	kg·m <sup>2</sup>
11	线电阻/Ph/ph resistance±20%at20°C	0.27	Ω
12	线电感Ph/ph inductance±30% at 1KHz 20°C	0.70	mH
13	电机质量/Motor mass	1.56	KG
14	绝缘等级/Insulation class	E	120°
15	防护等级/Protective enclosure rating	IP40	

转矩-转速特性 Torque-speed specifications



Pin No.	线色 COLOR	定义 FUNCTION	Pin No.	线色 COLOR	定义 FUNCTION
1	红/red	VCC(+5V)	4	蓝/blue	Hw
3	黄/yellow	Hv	5	黑/black	GND
2	橙/orange	U	6	橙/orange	Hu
4	蓝/blue	W			
5	黑/black	GND			
6	橙/orange	V			

Unit: mm  
第一角画法 FIRST ANGLE METHOD  
未注线性与角度尺寸公差 Tolerances for linear and angular dimensions without individual tolerance indications GB/T 1804-m eqv ISO 2768-1 : m  
未注形状与位置尺寸公差 Geometrical tolerances for features without individual tolerance indications GB/T 1184-K eqv ISO 2768-2 : K

批准 Approve	
标准化 Standard	
工艺 Technology	
审核 Check	
设计 Design	

**MOONS'** BRUSHLESS DC MOTOR  
**Shanghai Moons' Electric Co., Ltd.**

This document is released for information only. Its reproduction in whole or in part or its dissemination to third parties is prohibited. All trademarks and registered trademarks appearing on this document are the property of their respective owners.

B	更改电阻值	2016-09-22
A	原始版本 Original revision	2013-06-03
REV.	版本记录 REVISION RECORD	DATE

UNLESS OTHERWISE SPECIFIED NAMES SIGNATURE DATE

Type: 80BL200L4 Rev. B SCALE 1:2 Sheet 1 of 1