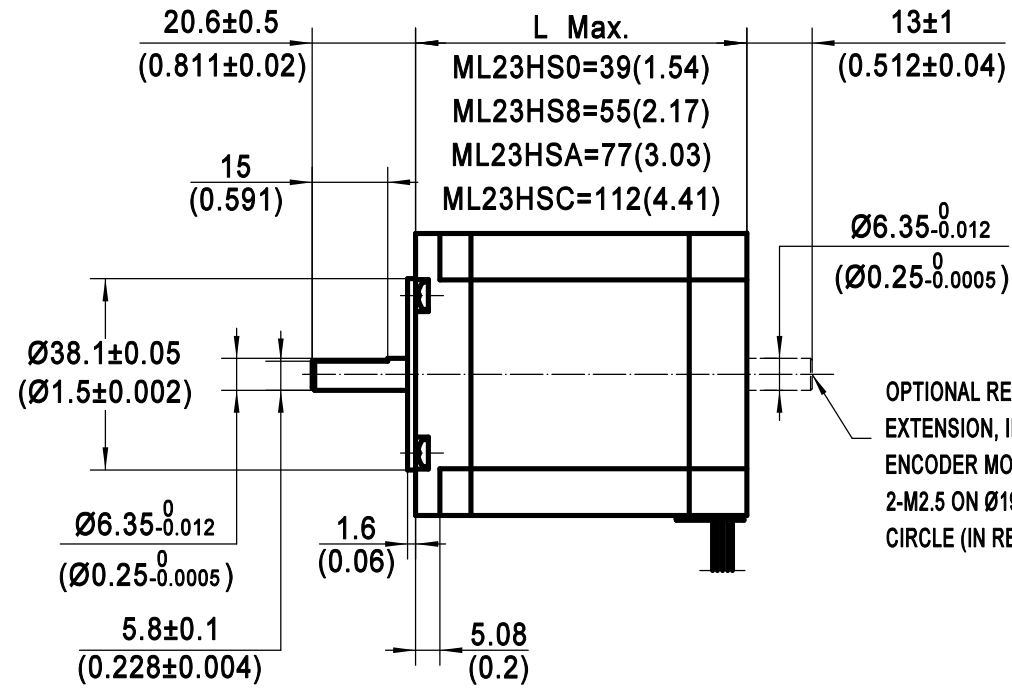
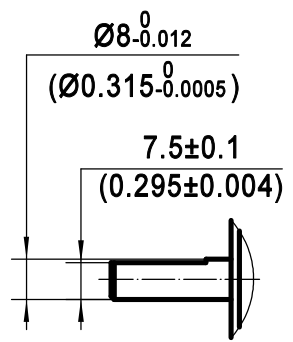
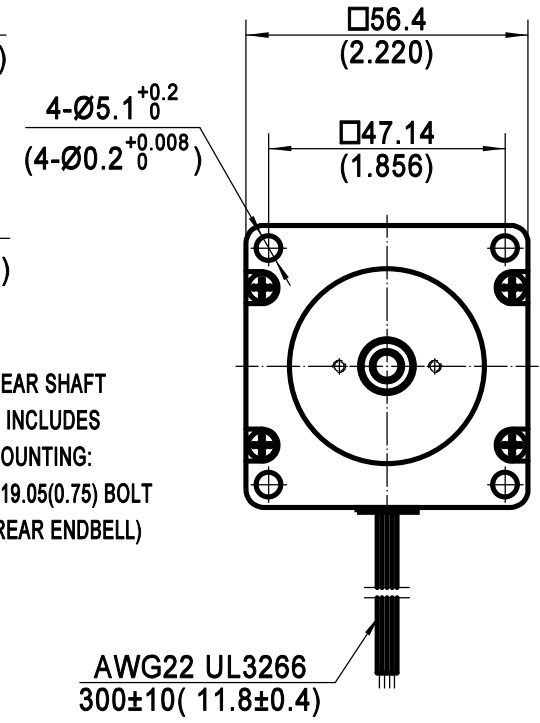


For ML23HSC



OPTIONAL REAR SHAFT  
EXTENSION, INCLUDES  
ENCODER MOUNTING:  
2-M2.5 ON  $\varnothing 19.05(0.75)$  BOLT  
CIRCLE (IN REAR ENDBELL)



# ML23HS