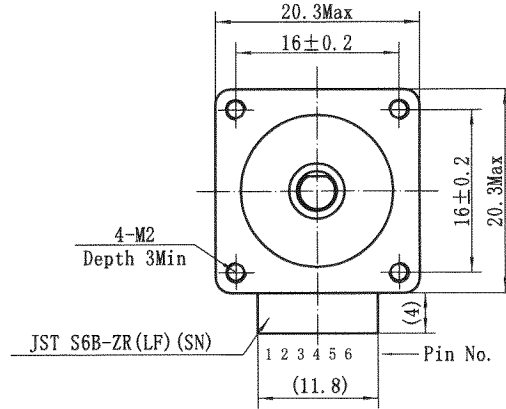
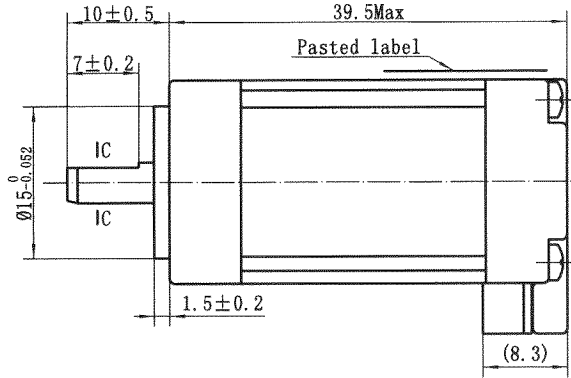
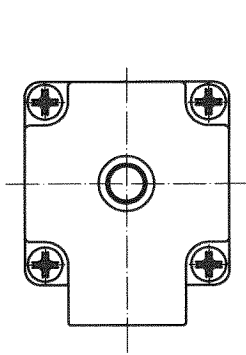
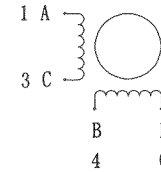


4611110033078



接线图
Wiring Diagram



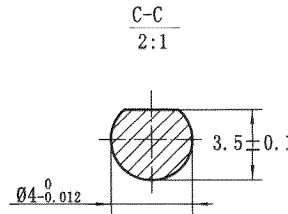
励磁顺序vs. 旋转方向
Exciting Sequence vs. Direction of Rotation

STEP	A	B	C	D	
1	+	+	-	-	↑ CCW ↓ CW
2	-	+	+	-	
3	-	-	+	+	
4	+	-	-	+	

从安装面看为顺时针方向
Clockwise view from mounting side

规格 Specifications

1. 相数 Number of Phase	2
2. 步距角 Step Angle	1.8°
3. 额定电压 Rated Voltage	3.06V DC
4. 额定电流 Rated Current	0.9Amp
5. 保持力矩 Holding Torque	50mNm Typ. (Two phase on/rated current)
6. 相电阻 Phase Resistance	3.4ohm±10%(20° C)
7. 相电感 Phase Inductance	1.91mH±20%(1kHz 1V rms)
8. 转子惯量 Rotor Inertia	2.9gcm ²
9. 电机重量 Motor Weight	0.06kg
10. 绝缘等级 Insulation Class	B(130° C)



保 密

铭牌 Label Detail

MOONS' STEPPING MOTOR
TYPE MS08HY3P4090
XXXXXXXX YY/MM/DD

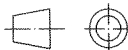
Work Order 加工单号 Date Format 日期格式

Unit: mm

第一角画法
FIRST ANGLE METHOD

未注线性与角度尺寸公差
Tolerances for linear and angular dimensions without individual tolerance indications
GB/T 1804-m eqv ISO 2768-1: m

未注形状与位置尺寸公差
Geometrical tolerance for features without individual tolerance indications
GB/T 1184-K eqv ISO 2768-2: K



批准 Approve	杨超	5.21
标准化 Standard	陈	5.7
工艺 Technology	陈	5.21
审核 Check	陈	5.21
设计 Design	乔鹏力	2019.05.21
NAMES	SIGNATURE	DATE

MOONS'

Hybrid Stepping Motor

Shanghai Moons' Electric Co., Ltd.

This document is released for information only. Its reproduction in whole or in part or its dissemination to third parties is prohibited. All trademarks and registered trademarks appearing on this document are the property of their respective owners.

REV.	版本记录 REVISION RECORD	DATE	UNLESS OTHERWISE SPECIFIED	NAMES	SIGNATURE	DATE	Type: MS08HY3P4090	Rev. A	SCALE 2:1	Sheet 1 of 1
------	----------------------	------	----------------------------	-------	-----------	------	--------------------	--------	-----------	--------------

1

2

3

4

5

6

7

8