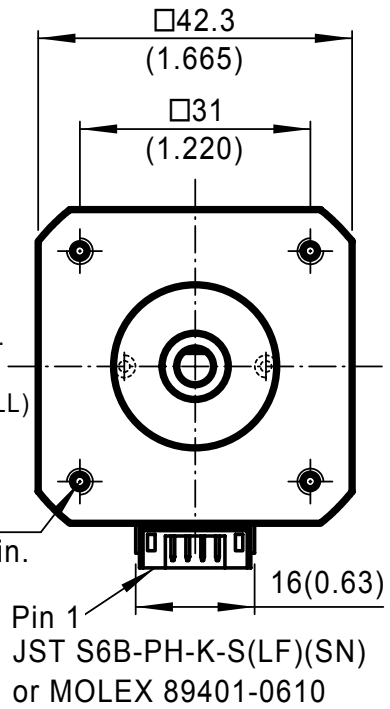


OPTIONAL REAR SHAFT
 EXTENSION, INCLUDES
 ENCODER MOUNTING:
 2-M2.5, DEPTH 2.5(0.1)Min.
 ON $\text{Ø}19.05(0.75)$ BOLT
 CIRCLE (IN REAR ENDBELL)

4-M3
 Depth 4.5(0.18)Min.



MS17HA