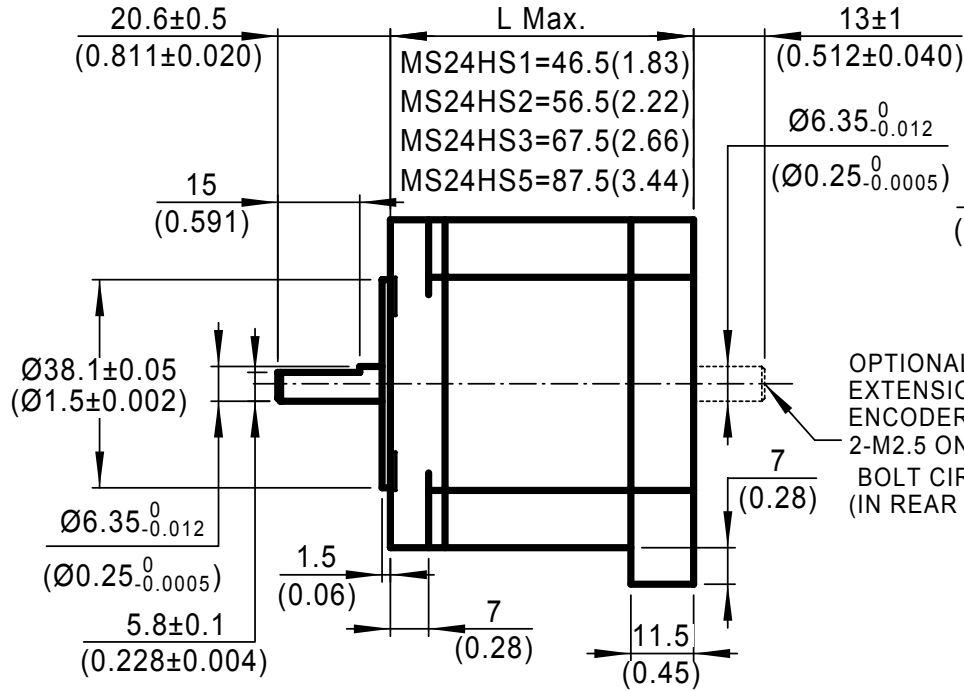
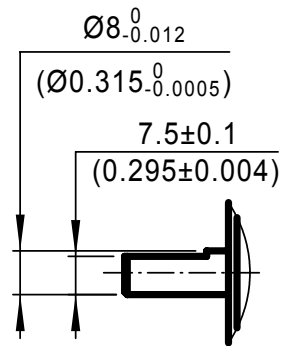
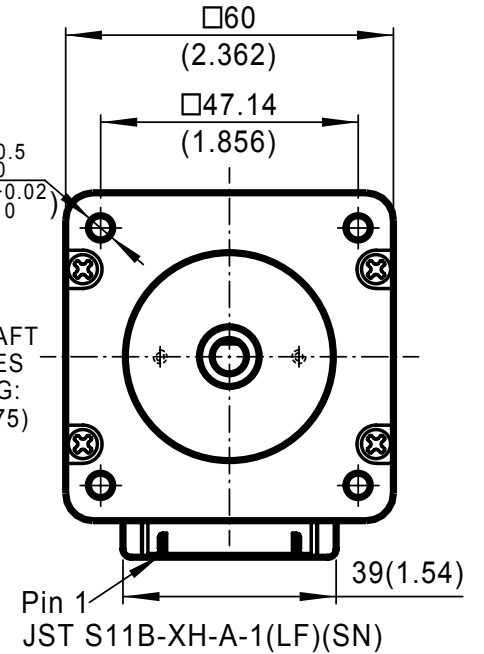


For MS24HS5



OPTIONAL REAR SHAFT  
EXTENSION, INCLUDES  
ENCODER MOUNTING:  
2-M2.5 ON Ø19.05(0.75)  
BOLT CIRCLE  
(IN REAR ENDBELL)

$4-\text{Ø}4.5_{0}^{+0.5}$   
 $(4-\text{Ø}0.177_{0}^{+0.02})$



# MS24HS