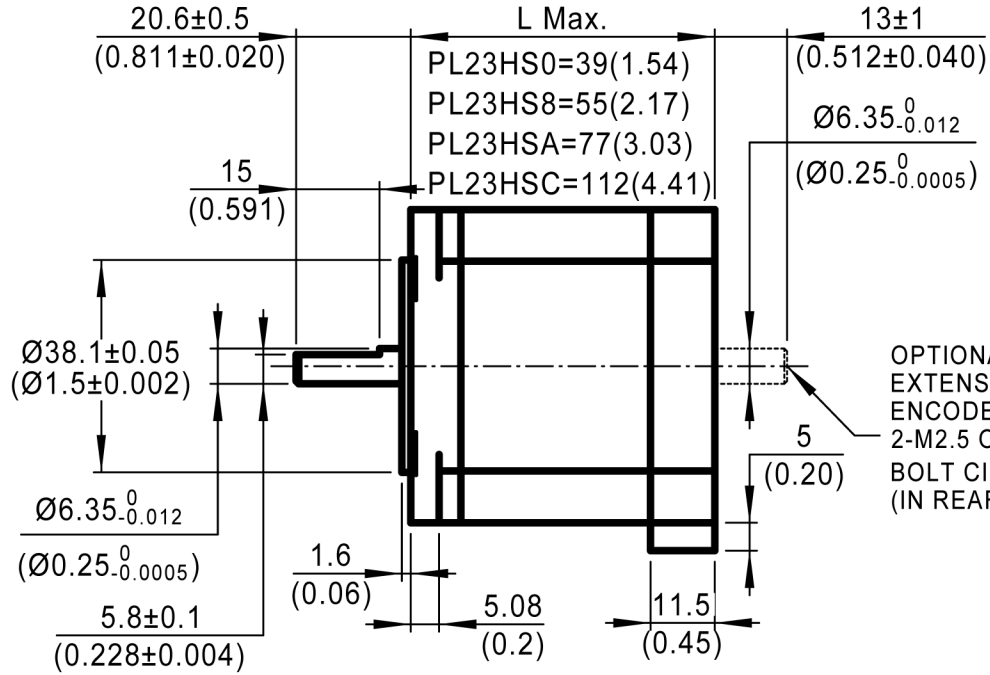
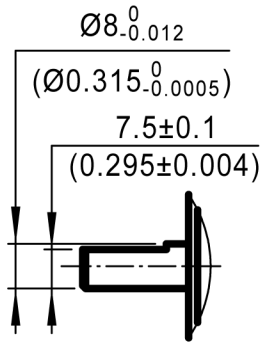
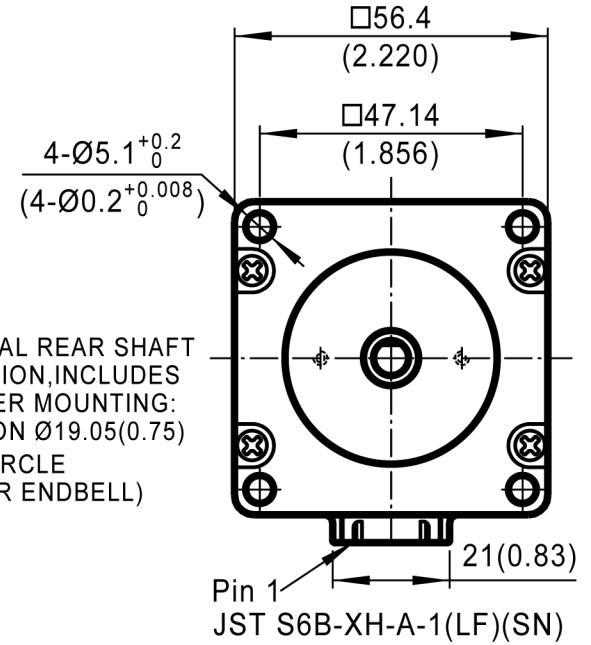


For PL23HSC



OPTIONAL REAR SHAFT  
EXTENSION, INCLUDES  
ENCODER MOUNTING:  
2-M2.5 ON  $\text{Ø}19.05(0.75)$   
BOLT CIRCLE  
(IN REAR ENDBELL)



# PL23HS