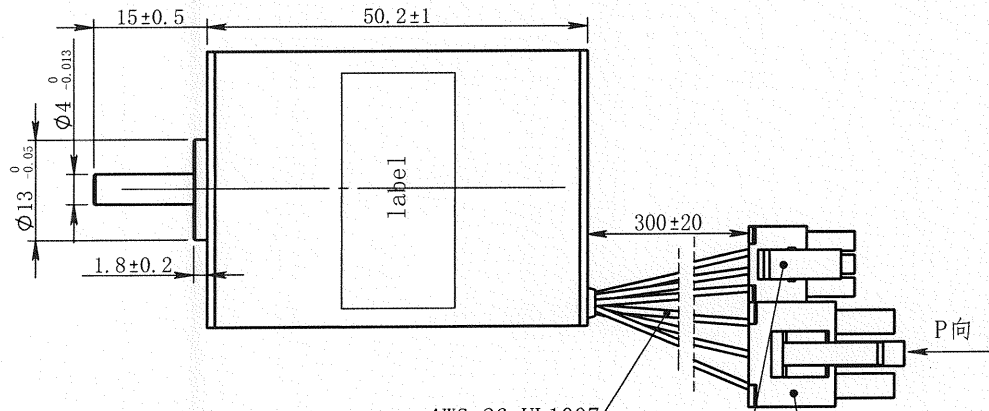
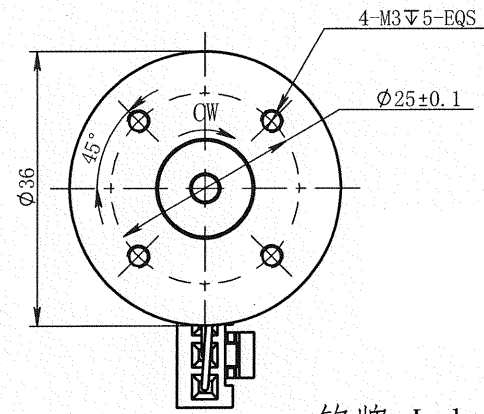


4611130001028



AWG 26 UL1007  
 Housing: MOLEX 43025-0600 (Black)  
 Terminal: MOLEX 43030-0005  
 Housing: MOLEX 39-01-4031 (White)  
 Terminal: MOLEX 39-00-0207



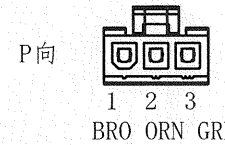
铭牌 Label Detail

**MOONS'**  
 BRUSHLESS DC MOTOR  
 MODEL R36BLB15L2

24VDC Ins. Class B  
 0.98A IP40  
 15W YY-MM-DD  
 0.029Nm NO. XXXXXX  
 5000rpm

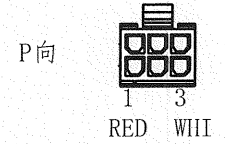
MADE IN CHINA

MOLEX 39-01-4031



Pin No.	线色 COLOR	定义 FUNCTION
1	棕/brown	W
2	橙/orange	U
3	绿/green	V

MOLEX 43025-0600  
 BLU BLA YEL  
 4 5 6

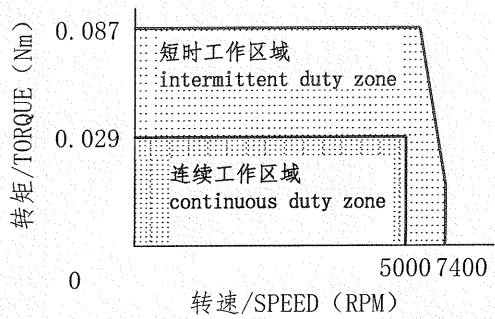


Pin No.	线色 COLOR	定义 FUNCTION
1	红/red	VCC(+5V)
3	白/white	Ilv
4	蓝/blue	Ihw
5	黑/black	GND
6	黄/yellow	Ilu

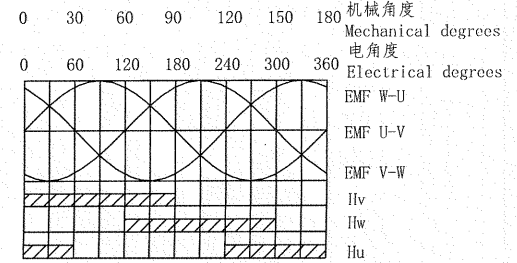
规格 Specifications

1	额定电压/Rated power supply	24	VDC
2	额定输出功率/Rated output power	15	W
3	极数/Poles number	4	
4	相数/Phase number	3	
5	额定转速/Rated rotational speed	5000	RPM
6	最大转速/Maximum speed	7400	RPM
7	额定转矩/Rated torque	0.029	Nm
8	额定电流/Rated winding current	0.98	A
9	线反电势系数/Voltage constant±10%	3.88	Vrms/krpm
10	惯量/Moment of inertia	5.2468x10 <sup>-7</sup>	kg·m <sup>2</sup>
11	线电阻Ph/ph resistance±15% at 20°C	3.6	Ω
12	线电感Ph/ph inductance±30% at 1KHz 20°C	5.81	mH
13	电机质量/Motor mass	0.18	kg
14	绝缘等级/Insulation class	B	130°C
15	防护等级/Protective enclosure rating	IP40	

转矩-转速特性 Torque-speed specifications



线反电势与霍尔相位关系图(顺时针) Relation between phase EMF's and hall sensor outputs at CW



G		
F		
E		
D		
C		
B		
A	原始版本 Original revision	2018-05-28
REV.	版本记录 REVISION RECORD	DATE

Unit: mm  
 第一角画法 FIRST ANGLE METHOD  
 未注线性与角度尺寸公差 Tolerances for linear and angular dimensions without individual tolerance indications  
 GB/T 1804-m eqv ISO 2768-1 : m  
 未注形状与位置尺寸公差 Geometrical tolerance for features without individual tolerance indications  
 GB/T 1184-K eqv ISO 2768-2 : K

批准 Approve	
标准化 Standard	
工艺 Technology	
审核 Check	
设计 Design	
UNLESS OTHERWISE SPECIFIED	NAMES SIGNATURE DATE

**MOONS'** BRUSHLESS DC MOTOR  
**Shanghai Moons' Electric Co., Ltd.**

This document is released for information only. Its reproduction in whole or in part or its dissemination to third parties is prohibited. All trademarks and registered trademarks appearing on this document are the property of their respective owners.

Type: R36BLB15L2 REV: A SCALE 1:1 Sheet 1 of 1