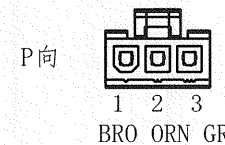
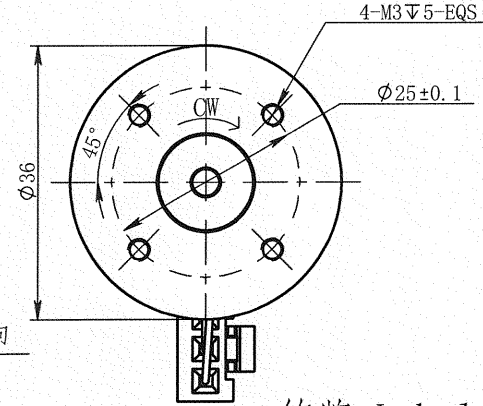
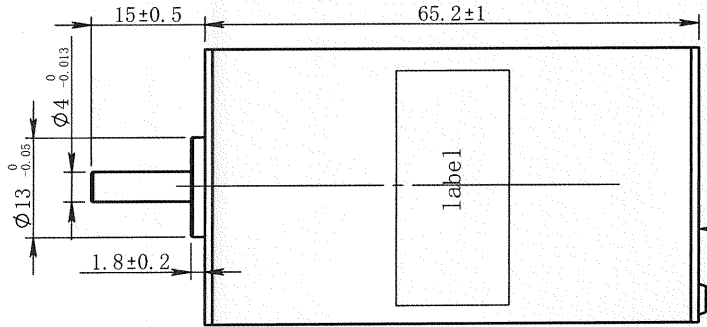


4611130001038

MOLEX 39-01-4031



Pin No.	线色 COLOR	定义 FUNCTION
1	棕/brown	W
2	橙/orange	U
3	绿/green	V

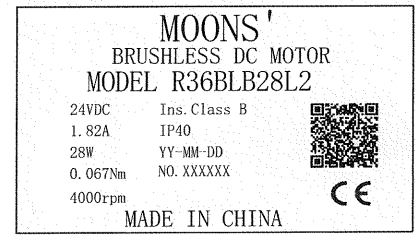
MOLEX 43025-0600  
1 3  
RED WHI



Pin No.	线色 COLOR	定义 FUNCTION
1	红/red	VCC(+5V)
3	白/white	Hv
4	蓝/blue	Hw
5	黑/black	GND
6	黄/yellow	Hu

AWG 24 UL1007  
Housing: MOLEX 43025-0600 (Black)  
Terminal: MOLEX 43030-0005  
Housing: MOLEX 39-01-4031 (White)  
Terminal: MOLEX 39-00-0207

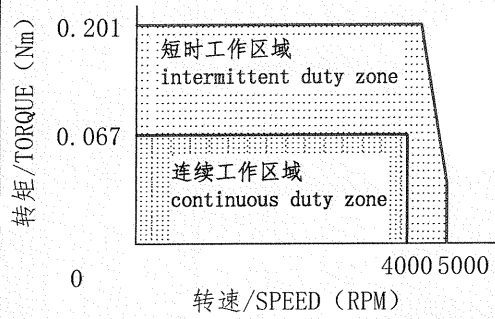
铭牌 Label Detail



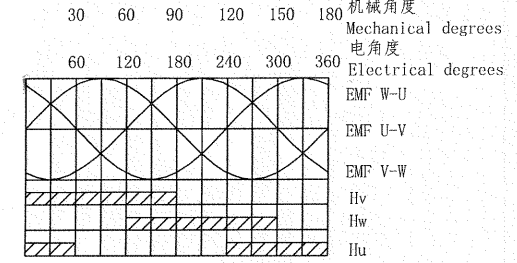
规格 Specifications

Item No.	规格/Specification	Value	Unit
1	额定电压/Rated power supply	24	VDC
2	额定输出功率/Rated output power	28	W
3	极数/Poles number	4	
4	相数/Phase number	3	
5	额定转速/Rated rotational speed	4000	RPM
6	最大转速/Maximum speed	5000	RPM
7	额定转矩/Rated torque	0.067	Nm
8	额定电流/Rated winding current	1.82	A
9	线反电势系数/Voltage constant ±10%	4.50	Vrms/krpm
10	惯量/Moment of inertia	8.3949x10 <sup>-7</sup>	kgm <sup>2</sup>
11	线电阻Ph/ph resistance ±15% at 20°C	2.48	Ω
12	线电感Ph/ph inductance ±30% at 1KHz 20°C	5.33	mH
13	电机质量/Motor mass	0.22	kg
14	绝缘等级/Insulation class	B	130°C
15	防护等级/Protective enclosure rating	IP40	

转矩-转速特性 Torque-speed specifications



线反电势与霍尔相位关系图 (顺时针)  
Relation between phase EMF's and hall sensor outputs at CW



G		Unit: mm	批准 Approve			<b>MOONS'</b> <b>Shanghai Moons' Electric Co., Ltd.</b> This document is released for information only. Its reproduction in whole or in part or its dissemination to third parties is prohibited. All trademarks and registered trademarks appearing on this document are the property of their respective owners.
F		第一角画法 FIRST ANGLE METHOD	标准化 Standard			
E		未注线性与角度尺寸公差 Tolerances for linear and angular dimensions without individual tolerance indications GB/T 1804-m eqv ISO 2768-1 : m	工艺 Technology			
D		未注形状与位置尺寸公差 Geometrical tolerance for features without individual tolerance indications GB/T 1184-K eqv ISO 2768-2 : K	审核 Check			
C			设计 Design			
B						
A	原始版本 Original revision	2018-05-25				
REV.	版本记录 REVISION RECORD	DATE	UNLESS OTHERWISE SPECIFIED	NAMES	SIGNATURE	DATE