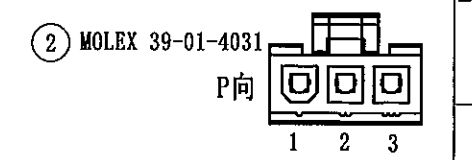
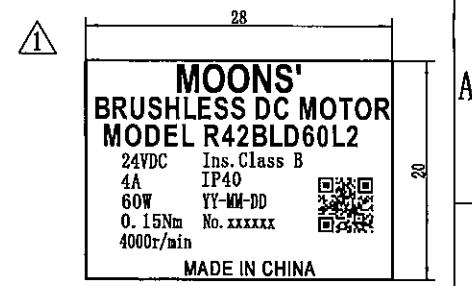
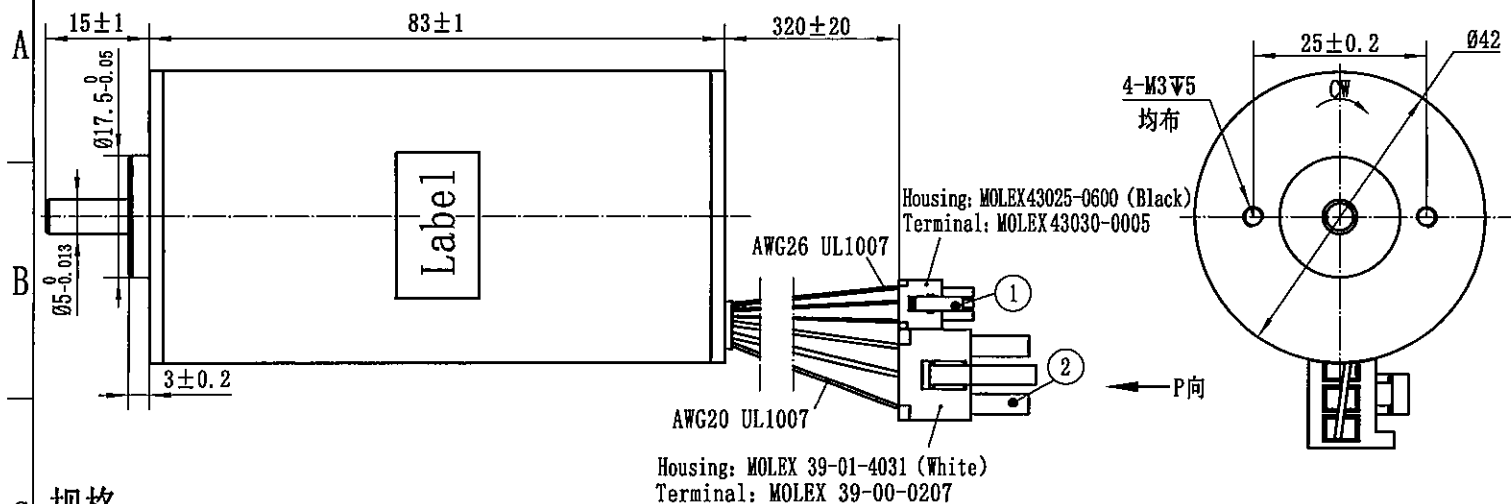


4611130001032

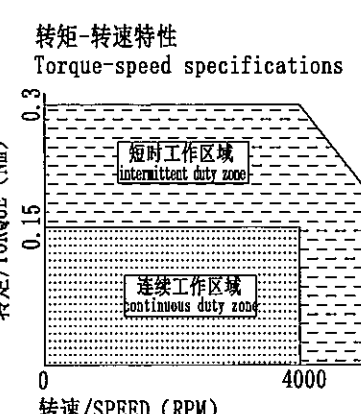


编号 NO.	线色 COLOR	定义 FUNCTION
1	棕/brown	W
2	橙/orange	U
3	绿/GREEN	V

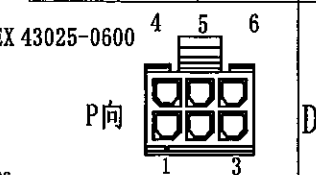
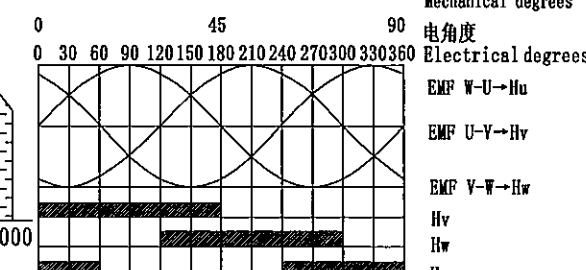
规格 Specifications

1	额定电压/Rated power supply	24	VDC
2	额定输出功率/Rated output power	60	W
3	极数/poles	8	
4	相数/Phase	3	
5	额定转速/Rated rotational speed	4000	RPM
6	最大转速/Maximum speed	5000	RPM
7	额定转矩/Rated torque	0.15	Nm
8	额定电流/Rated winding current	4	A
9	线反电势系数/Voltage constant±10%	2.1	Vrms/krpm
10	惯量/Moment of inertia	6.015×10 ⁻⁶	kgm ²
11	线电阻Ph/ph resistance±10% at 20℃	2.3	Ω
12	线电感Ph/ph inductance±30% at 1KHz 20℃	1.6	mH
13	电机质量/Motor mass	0.5	kg
14	绝缘等级/Insulation class	B	130℃
15	防护等级/Protective enclosure rating	IP40	

保 密



线反电势与霍尔相位关系图 (顺时针)
Relation between phase EMF's and hall sensor outputs at CW



编号 NO.	线色 COLOR	定义 FUNCTION
1	红/red	VCC (+5V)
3	白/white	Hv
4	蓝/blue	Hw
5	黑/black	GND
6	黄/yellow	Hu

Unit: mm		第一角画法 FIRST ANGLE METHOD		批准 Approve	柯金柱	10.31	MOONS' BRUSHLESS DC MOTOR
未注线性与角度尺寸公差 Tolerances for linear and angular dimensions without individual tolerance indications		GB/T 1804-m eqv ISO 2768-1:m		标准化 Standard	柯金柱	10.31	
未注形状与位置尺寸公差 Geometrical tolerance for features without individual tolerance indications		GB/T 1184-K eqv ISO 2768-2:K		工艺 Technology	曹亮	29/10-19	Shanghai Moons' Electric Co., Ltd.
B 反电势系数3Vrms/krpm;最大转速5000RPM等		2019-10-23		审核 Check	吴红柳	10.29	
A 原始版本 Original revision		2018-5-24		设计 Design	李泽炜	2019-10-23	This document is released for information only. Its reproduction in whole or in part or its dissemination to third parties is prohibited. All trademarks and registered trademarks appearing on this document are the property of their respective owners.
REV.	版本记录 REVISION RECORD	DATE	UNLESS OTHERWISE SPECIFIED	NAMES	SIGNATURE	DATE	